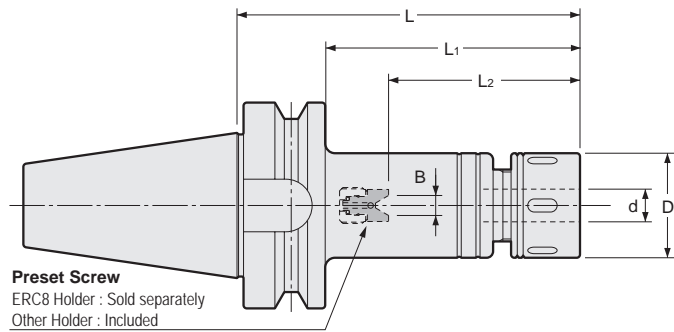


Collet Holder For Small Diameters



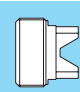
- For drilling in tight space.



Unit : Inch

Code	Model	d	L	L1	B	L2	D1	kg	Preset Screw	Nut	Collet	Spanner
2550 000108045	BT30 -ERC8* -45	0.020-0.197	1.772	0.906	— (0-0.094)	1.299 (0.748-1.220)	0.472	0.40	ER8 (sold separately)	ERP-8	ER8	S-8E
2550 000108060	-60	0.020-0.197	2.362	1.496	— (0-0.094)	1.299 (0.748-1.220)	0.472	0.40				
2550 000108075	-75	0.020-0.197	2.953	2.087	— (0-0.094)	1.299 (0.748-1.220)	0.472	0.41				
2550 000108090	-90	0.020-0.197	3.543	2.677	— (0-0.094)	1.299 (0.748-1.220)	0.472	0.41				
2550 000108105	-105	0.020-0.197	4.134	3.268	— (0-0.094)	1.299 (0.748-1.220)	0.472	0.42				
2550 000108135	-135	0.020-0.197	5.315	4.449	— (0-0.094)	1.299 (0.748-1.220)	0.472	0.45				
2550 000110045	BT30 -ERC11S -45	0.020-0.276	1.772	0.906	0.0 ~ 0.157	0.866-1.457	0.630	0.40	HDS-07A-ES11	ERP-11S	ER11	S-11E
2550 000110060	-60	0.020-0.276	2.362	1.496	0.0 ~ 0.157	0.866-1.654	0.630	0.41				
2550 000110075	-75	0.020-0.276	2.953	2.087	0.0 ~ 0.157	0.866-1.654	0.630	0.43				
2550 000110090	-90	0.020-0.276	3.543	2.677	0.0 ~ 0.157	0.866-1.654	0.630	0.45				
2550 000110105	-105	0.020-0.276	4.134	3.268	0.0 ~ 0.157	0.866-1.654	0.630	0.46				
2550 000110135	-135	0.020-0.276	5.315	4.449	0.0 ~ 0.157	0.866-1.654	0.630	0.50				
2550 000111045	BT30 -ERC11 -45	0.020-0.276	1.772	0.906	0.0 ~ 0.157	0.866-1.457	0.906	0.43	HDP-07A			S-0
2550 000111060	-60	0.020-0.276	2.362	1.496	0.0 ~ 0.157	0.866-1.654	0.906	0.47				
2550 000111075	-75	0.020-0.276	2.953	2.087	0.0 ~ 0.157	0.866-1.654	0.906	0.50				
2550 000111090	-90	0.020-0.276	3.543	2.677	0.0 ~ 0.157	0.866-1.654	0.906	0.55				
2550 000111105	-105	0.020-0.276	4.134	3.268	0.0 ~ 0.157	0.866-1.654	0.906	0.55				
2550 000116060	BT30 -ERC16 -60	0.020-0.394	2.362	1.496	0.0 ~ 0.197	1.299-1.929	1.260	0.53				
2550 000116075	-75	0.020-0.394	2.953	2.087	0.0 ~ 0.197	1.299-2.126	1.260	0.61				
2550 000116090	-90	0.020-0.394	3.543	2.677	0.0 ~ 0.197	1.299-2.126	1.260	0.70				
2550 000116105	-105	0.020-0.394	4.134	3.268	0.0 ~ 0.197	1.299-2.126	1.260	0.78				
2550 000120060	BT30 -ERC20 -60	0.020-0.512	2.362	1.496	0.0 ~ 0.236	1.496-2.047	1.378	0.53	HDS12A-ES20	ERP-20	ER20	FK-0034
2550 000120075	-75	0.020-0.512	2.953	2.087	0.0 ~ 0.236	1.496-2.638	1.378					
2550 000120090	-90	0.020-0.512	3.543	2.677	0.0 ~ 0.236	1.496-2.638	1.378	0.73				
2550 000120105	-105	0.020-0.512	4.134	3.268	0.0 ~ 0.236	1.496-2.638	1.378					

1. Collet and spanner are sold separately.
2. *ES8, a preset screw for ERC8, is sold separately. Other holder includes a standard preset screw.
3. " B " and " I " dimensions in brackets are for using ES8 preset screw.
4. Refer to P.092 for minimum tool insertion length in case of using our coolant collets.
5. See P.499 for standard Tightening Torque.

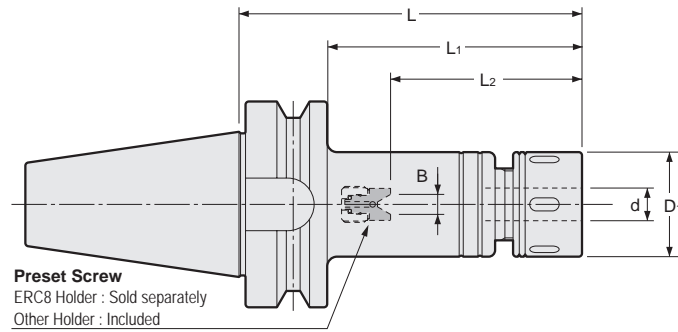
Collet P. 090-091 	Spanner P. 095 	Preset screw P. 094 
--	---	--

Ordering Example

BT30 - ERC 8 - 105
 Shank size Max. collet I.D. Projection length (L)

Collet Holder For Small Diameters

- For drilling in tight space.

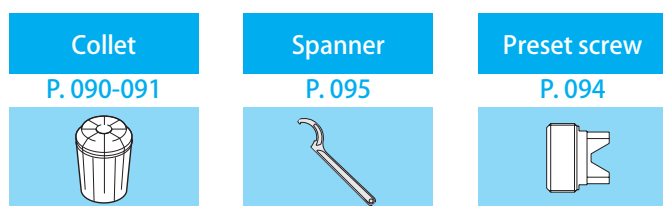


Unit : Inch

	Code	Model	d	L	L1	B	L2	D1	kg	Preset Screw	Nut	Collet	Spanner				
Milling Chuck	2550 000125060	BT30 -ERC25 -60	0.020~0.630	2.362	1.496	0.0 ~ 0.315	1.693~2.165	1.654	0.57	HDS16A-ES25	ERP-25	ER25	HS-116				
	2550 000125090	-90	0.020~0.630	3.543	2.677	0.0 ~ 0.315	1.693~3.150	1.654	0.85								
Collet Holder	2550 000125105	-105	0.020~0.630	4.134	3.268	0.0 ~ 0.315	1.693~3.150	1.654	1.00								
	2550 000125120	-120	0.020~0.630	4.724	3.858	0.0 ~ 0.315	1.693~3.150	1.654									
"R"-Zero Holder	2550 000132060	BT30 -ERC32 -60	0.098~0.787	2.362	1.496	-	2.323	1.969						HDS22A-ER32	ERP-32	ER32	HS-2-20
	2550 000132075	-75	0.098~0.787	2.953	2.087	-	2.913	1.969									
	2550 000132090	-90	0.098~0.787	3.543	2.677	0.0 ~ 0.394	1.969~2.598	1.969									
	2550 000132105	-105	0.098~0.787	4.134	3.268	0.0 ~ 0.394	1.969~3.189	1.969									
Hydraulic Chuck	2550 000308060	BT40 -ERC8* -60	0.020~0.197	2.362	1.299	— (0~0.094)	1.299 (0.748~1.220)	0.472	0.98					ER8 (sold separately)	ERP-8	ER8	S-8E
	2550 000308075	-75	0.020~0.197	2.953	1.890	— (0~0.094)	1.299 (0.748~1.220)	0.472	0.98								
	2550 000308090	-90	0.020~0.197	3.543	2.480	— (0~0.094)	1.299 (0.748~1.220)	0.472	0.98								
	2550 000308105	-105	0.020~0.197	4.134	3.071	— (0~0.094)	1.299 (0.748~1.220)	0.472	0.99								
Shrink Fit	2550 000308135	-135	0.020~0.197	5.315	4.252	— (0~0.094)	1.299 (0.748~1.220)	0.472	1.01								
	Tapping Chuck	2550 000310060	BT40 -ERC11S -60	0.020~0.276	2.362	1.299	0.0 ~ 0.157	0.866~1.654	0.630	0.99	HDS-07A-ES11	ERP-11S	ER11	S-11E			
2550 000310075		-75	0.020~0.276	2.953	1.890	0.0 ~ 0.157	0.866~1.654	0.630	1.00								
2550 000310090		-90	0.020~0.276	3.543	2.480	0.0 ~ 0.157	0.866~1.654	0.630	1.00								
2550 000310105		-105	0.020~0.276	4.134	3.071	0.0 ~ 0.157	0.866~1.654	0.630	1.02								
2550 000310135		-135	0.020~0.276	5.315	4.252	0.0 ~ 0.157	0.866~1.654	0.630	1.06								
Arbors	2550 000311075	BT40 -ERC11 -75	0.020~0.276	2.953	1.890	0.0 ~ 0.157	0.866~1.654	0.906	1.07	HDP-07A			S-0				
	2550 000311090	-90	0.020~0.276	3.543	2.480	0.0 ~ 0.157	0.866~1.654	0.906	1.10								
	2550 000311105	-105	0.020~0.276	4.134	3.071	0.0 ~ 0.157	0.866~1.654	0.906	1.14								
Function Holder	2550 000316060	BT40 -ERC16 -60	0.020~0.394	2.362	1.299	0.0~0.197	1.299~2.126	1.260	1.09	ES16	ERP-16	ER16	FK-0030				
	2550 000316090	-90	0.020~0.394	3.543	2.480	0.0~0.197	1.299~2.126	1.260	1.24								
	2550 000316105	-105	0.020~0.394	4.134	3.071	0.0~0.197	1.299~2.126	1.260	1.31								
	2550 000316120	-120	0.020~0.394	4.724	3.661	0.0~0.197	1.299~2.126	1.260									
	2550 000316135	-135	0.020~0.394	5.315	4.252	0.0~0.197	1.299~2.126	1.260	1.46								
Turning Tool	2550 000316165	-165	0.020~0.394	6.496	5.433	0.0~0.197	1.299~2.126	1.260									
	2550 000320060	BT40 -ERC20 -60	0.020~0.512	2.362	1.299	0.0~0.236	1.496~2.244	1.378		HDS12A-ES20	ERP-20	ER20	FK-0034				
2550 000320090	-90	0.020~0.512	3.543	2.480	0.0~0.236	1.496~2.638	1.378	1.37									
2550 000320105	-105	0.020~0.512	4.134	3.071	0.0~0.236	1.496~2.638	1.378	1.37									
2550 000320120	-120	0.020~0.512	4.724	3.661	0.0~0.236	1.496~2.638	1.378	1.55									
2550 000320135	-135	0.020~0.512	5.315	4.252	0.0~0.236	1.496~2.638	1.378	1.55									
2550 000320165	-165	0.020~0.512	6.496	5.433	0.0~0.236	1.496~2.638	1.378										
Retention Stud	2550 000320195	-195	0.020~0.512	7.677	6.614	0.0~0.236	1.496~2.638	1.378									
	Tool Shank Dimensions	2550 000325090	BT40 -ERC25 -90	0.020~0.630	3.543	2.480	0.0~0.315	1.693~3.150	1.654	1.39	HDS16A-ES25	ERP-25	ER25	HS-116			
		2550 000325105	-105	0.020~0.630	4.134	3.071	0.0~0.315	1.693~3.150	1.654								
		2550 000325120	-120	0.020~0.630	4.724	3.661	0.0~0.315	1.693~3.150	1.654								
		2550 000325135	-135	0.020~0.630	5.315	4.252	0.0~0.315	1.693~3.150	1.654								
2550 000325165		-165	0.020~0.630	6.496	5.433	0.0~0.315	1.693~3.150	1.654									
2550 000325195	-195	0.020~0.630	7.677	6.614	0.0~0.315	1.693~3.150	1.654										

Code	Model	d	L	L1	B	L2	D1	kg	Preset Screw	Nut	Collet	Spanner				
2550 000332075	BT40 -ERC32 -75	0.098-0.787	2.953	1.890	0.0-0.394	1.969-2.795	1.969	1.28	HDS22A-ES32	ERP-32	ER32	HS-2-20				
2550 000332105	-105	0.098-0.787	4.134	3.071	0.0-0.394	1.969-3.976	1.969	1.63								
2550 000332120	-120	0.098-0.787	4.724	3.661	0.0-0.394	1.969-3.976	1.969	1.84								
2550 000332135	-135	0.098-0.787	5.315	4.252	0.0-0.394	1.969-3.976	1.969									
2550 000332165	-165	0.098-0.787	6.496	5.433	0.0-0.394	1.969-3.976	1.969									
2550 000332195	-195	0.098-0.787	7.677	6.614	0.0-0.394	1.969-3.976	1.969									
2550 000340075	BT40 -ERC40 -75	0.118-1.024	2.953	1.890	-	3.386	2.480	1.26	ES40	ERP40	ER40	HS-2.5-25				
2550 000340105	-105	0.118-1.024	4.134	3.071	0.0-0.551	2.632-3.504	2.480	1.92								
2550 000340150	-150	0.118-1.024	5.906	4.843	0.0-0.551	2.632-3.898	2.480									
2550 000511090	BT50 -ERC11 -90	0.020-0.276	3.543	2.047	0.0-0.157	0.866-1.654	0.906		HDS07A-ES11	HDP-07A	ER11	S-0				
2550 000511105	-105	0.020-0.276	4.134	2.638	0.0-0.157	0.866-1.654	0.906									
2550 000511120	-120	0.020-0.276	4.724	3.228	0.0-0.157	0.866-1.654	0.906									
2550 000511135	-135	0.020-0.276	5.315	3.819	0.0-0.157	0.866-1.654	0.906									
2550 000511165	-165	0.020-0.276	6.496	5.000	0.0-0.157	0.866-1.654	0.906									
2550 000511195	-195	0.020-0.276	7.677	6.181	0.0-0.157	0.866-1.654	0.906									
2550 000516090	BT50 -ERC16 -90	0.020-0.394	3.543	2.047	0.0-0.197	1.299-2.126	1.260		ES16	ERP-16	ER16	FK-0030				
2550 000516105	-105	0.020-0.394	4.134	2.638	0.0-0.197	1.299-2.126	1.260									
2550 000516120	-120	0.020-0.394	4.724	3.228	0.0-0.197	1.299-2.126	1.260									
2550 000516135	-135	0.020-0.394	5.315	3.819	0.0-0.197	1.299-2.126	1.260									
2550 000516165	-165	0.020-0.394	6.496	5.000	0.0-0.197	1.299-2.126	1.260									
2550 000516195	-195	0.020-0.394	7.677	6.181	0.0-0.197	1.299-2.126	1.260									
2550 000516225	-225	0.020-0.394	8.858	7.362	0.0-0.197	1.299-2.126	1.260									
2550 000516255	-255	0.020-0.394	10.039	8.543	0.0-0.197	1.299-2.126	1.260									
2550 000520090	BT50 -ERC20 -90	0.020-0.512	3.543	2.047	0.0-0.236	1.496-2.638	1.378	3.80					HDS12A-ES20	ERP-20	ER20	FK-0034
2550 000520105	-105	0.020-0.512	4.134	2.638	0.0-0.236	1.496-2.638	1.378									
2550 000520120	-120	0.020-0.512	4.724	3.228	0.0-0.236	1.496-2.638	1.378									
2550 000520135	-135	0.020-0.512	5.315	3.819	0.0-0.236	1.496-2.638	1.378	4.04								
2550 000520165	-165	0.020-0.512	6.496	5.000	0.0-0.236	1.496-2.638	1.378									
2550 000520195	-195	0.020-0.512	7.677	6.181	0.0-0.236	1.496-2.638	1.378									
2550 000520225	-225	0.020-0.512	8.858	7.362	0.0-0.236	1.496-2.638	1.378									
2550 000520255	-255	0.020-0.512	10.039	8.543	0.0-0.236	1.496-2.638	1.378	4.79								
2550 000525090	BT50 -ERC25 -90	0.020-0.630	3.543	2.047	0.0-0.315	1.693-3.150	1.654		HDS16A-ES25	ERP-25	ER25	HS-1-16				
2550 000525105	-105	0.020-0.630	4.134	2.638	0.0-0.315	1.693-3.150	1.654									
2550 000525120	-120	0.020-0.630	4.724	3.228	0.0-0.315	1.693-3.150	1.654									
2550 000525135	-135	0.020-0.630	5.315	3.819	0.0-0.315	1.693-3.150	1.654									
2550 000525165	-165	0.020-0.630	6.496	5.000	0.0-0.315	1.693-3.150	1.654									
2550 000525195	-195	0.020-0.630	7.677	6.181	0.0-0.315	1.693-3.150	1.654									
2550 000525225	-225	0.020-0.630	8.858	7.362	0.0-0.315	1.693-3.150	1.654									
2550 000525255	-255	0.020-0.630	10.039	8.543	0.0-0.315	1.693-3.150	1.654									
2550 000532105	BT50 -ERC32 -105	0.098-0.787	4.134	2.638	0.0-0.394	1.969-3.976	1.969	4.11					HDS22A-ES32	ERP-32	ER32	HS-2-20
2550 000532120	-120	0.098-0.787	4.724	3.228	0.0-0.394	1.969-3.976	1.969									
2550 000532135	-135	0.098-0.787	5.315	3.819	0.0-0.394	1.969-3.976	1.969									
2550 000532165	-165	0.098-0.787	6.496	5.000	0.0-0.394	1.969-3.976	1.969	4.87								
2550 000532195	-195	0.098-0.787	7.677	6.181	0.0-0.394	1.969-3.976	1.969									
2550 000532225	-225	0.098-0.787	8.858	7.362	0.0-0.394	1.969-3.976	1.969									
2550 000532255	-255	0.098-0.787	10.039	8.543	0.0-0.394	1.969-3.976	1.969	5.99								
2550 000540105	BT50 -ERC40 -105	0.118-1.024	4.134	2.638	0.0-0.551	2.362-3.898	2.480	4.29	ES40	ERP-40	ER40	HS-2.5-25				
2550 000540165	-165	0.118-1.024	6.496	5.000	0.0-0.551	2.362-3.898	2.480	5.58								
2550 000550105	BT50 -ERC50 -105	0.394-1.339	4.134	2.638	0.0-0.630	2.913-3.937	3.071		ES50	ERP-50	ER50	HS-4-42				

- Collet and spanner are sold separately.
- *ES8, a preset screw for ERC8, is sold separately. Other holder includes a standard preset screw.
- " B " and " I " dimensions in brackets are for using ES8 preset screw.
- Refer to P.092 for minimum tool insertion length in case of using our coolant collets.
- See P.499 for standard Tightening Torque.



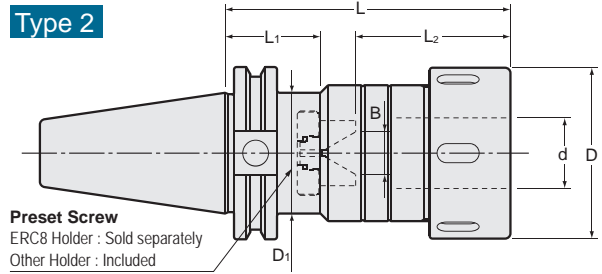
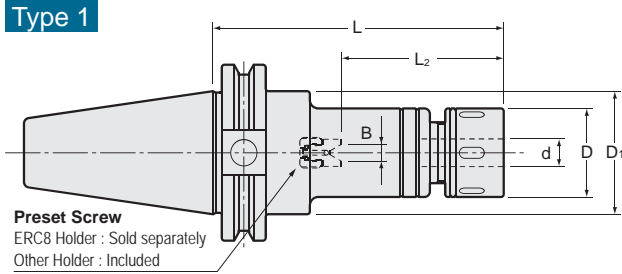
Ordering Example

BT40 - ERC 8 - 105
 Shank size Max. collet I.D. Projection length (L)

ERC

Collet Holder For Small Diameters

● For drilling in tight space.

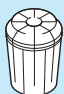


Unit : Inch

Code	Model	Type	d	L	L1	B	L2	D	D1	kg	Preset Screw	Nut	Collet	Spanner	
1980 00408075	CAT40-ERC 8	-75	1	0.020-0.197	2.953	—	— (0-0.094)	1.299 (0.748-1.220)	0.472	1.750	1.0	—	ERP-8	ER8	S-8E
1980 00408105		-105	1	0.020-0.197	4.134	—	— (0-0.094)	1.299 (0.748-1.220)	0.472	1.750	1.1	—	ERP-8	ER8	S-8E
1980 00410075	CAT40-ERC11S	-75	1	0.020-0.276	2.953	—	0.0-0.157	0.866-1.654	0.630	1.750	1.1	HDS07A-ES11	ERP-11S	ER11	S-11E
1980 00410105		-105	1	0.020-0.276	4.134	—	0.0-0.157	0.866-1.654	0.630	1.750	1.1				HDP-07A
1980 00411075	CAT40-ERC11	-75	1	0.020-0.276	2.953	—	0.0-0.157	0.866-1.654	0.906	1.750	1.1	ES16	ERP-16	ER16	FK-0030
1980 00411090		-90	1	0.020-0.276	3.543	—	0.0-0.157	0.866-1.654	0.906	1.750	1.2				
1980 00411105		-105	1	0.020-0.276	4.134	—	0.0-0.157	0.866-1.654	0.906	1.750	1.2				
1980 00416090	CAT40-ERC16	-90	1	0.020-0.394	3.543	—	0.0-0.197	1.299-2.126	1.260	1.750	1.3	HDS12A-ES20	ERP-20	ER20	FK-0034
1980 00416105		-105	1	0.020-0.394	4.134	—	0.0-0.197	1.299-2.126	1.260	1.750	1.3				
1980 00416120		-120	1	0.020-0.394	4.724	—	0.0-0.197	1.299-2.126	1.260	1.750	1.4				
1980 00416135		-135	1	0.020-0.394	5.315	—	0.0-0.197	1.299-2.126	1.260	1.750	1.5	HDS16A-ES25	ERP-25	ER25	HS-1-16
1980 00416165		-165	1	0.020-0.394	6.496	—	0.0-0.197	1.299-2.126	1.260	1.750	1.5				
1980 00420090	CAT40-ERC20	-90	1	0.020-0.512	3.543	—	0.0-0.236	1.496-2.638	1.378	1.750	1.3				
1980 00420105		-105	1	0.020-0.512	4.134	—	0.0-0.236	1.496-2.638	1.378	1.750	1.3	HDS22A-ES32	ERP-32	ER32	HS-2-20
1980 00420120		-120	1	0.020-0.512	4.724	—	0.0-0.236	1.496-2.638	1.378	1.750	1.3				
1980 00420135		-135	1	0.020-0.512	5.315	—	0.0-0.236	1.496-2.638	1.378	1.750	1.3				
1980 00420165		-165	1	0.020-0.512	6.496	—	0.0-0.236	1.496-2.638	1.378	1.750	1.3	HDS22A-ES32	ERP-32	ER32	HS-2-20
1980 00420195		-195	1	0.020-0.512	7.677	—	0.0-0.236	1.496-2.638	1.378	1.750	1.3				
1980 00425090	CAT40-ERC25	-90	1	0.020-0.630	3.543	—	0.0-0.315	1.693-3.150	1.654	1.750	1.4				
1980 00425105		-105	1	0.020-0.630	4.134	—	0.0-0.315	1.693-3.150	1.654	1.750	1.5	HDS22A-ES32	ERP-32	ER32	HS-2-20
1980 00425120		-120	1	0.020-0.630	4.724	—	0.0-0.315	1.693-3.150	1.654	1.750	1.7				
1980 00425135		-135	1	0.020-0.630	5.315	—	0.0-0.315	1.693-3.150	1.654	1.750	1.7				
1980 00425165		-165	1	0.020-0.630	6.496	—	0.0-0.315	1.693-3.150	1.654	1.750	1.7	HDS22A-ES32	ERP-32	ER32	HS-2-20
1980 00425195		-195	1	0.020-0.630	7.677	—	0.0-0.315	1.693-3.150	1.654	1.750	1.7				
1980 00432105	CAT40-ERC32	-105	1	0.098-0.787	4.134	—	0.0-0.394	1.969-3.976	1.969	1.750	1.5				
1980 00432120		-120	1	0.098-0.787	4.724	—	0.0-0.394	1.969-3.976	1.969	1.750	1.6	HDS22A-ES32	ERP-32	ER32	HS-2-20
1980 00432135		-135	1	0.098-0.787	5.315	—	0.0-0.394	1.969-3.976	1.969	1.750	1.8				
1980 00432165		-165	1	0.098-0.787	6.496	—	0.0-0.394	1.969-3.976	1.969	1.750	2.1				
1980 00432195		-195	1	0.098-0.787	7.677	—	0.0-0.394	1.969-3.976	1.969	1.750	2.4	HDS22A-ES32	ERP-32	ER32	HS-2-20
1980 00440075	CAT40-ERC40	-75	2	0.118-1.024	2.953	1.380	—	3.386	2.480	1.750	1.2				
1980 00440105		-105	2	0.118-1.024	4.134	1.380	0.0 0.138-0.551	2.362-3.504	2.480	1.750	1.2				
1980 00440150		-150	2	0.118-1.024	5.906	1.380	0.0 0.138-0.551	2.362-3.898	2.480	1.750	1.2	ES40	ERP-40	ER40	HS-2.5-25
1980 00440165		-165	2	0.118-1.024	6.496	1.380	0.0 0.138-0.551	2.362-3.898	2.480	1.750	1.2				
1980 00511090	CAT50-ERC11	-90	1	0.020-0.276	3.543	—	0.0-0.157	0.866-1.654	0.906	2.750	3.2				
1980 00511105		-105	1	0.020-0.276	4.134	—	0.0-0.157	0.866-1.654	0.906	2.750	3.2	HDS07A-ES11	HDP-07A	ER11	S-0
1980 00511120		-120	1	0.020-0.276	4.724	—	0.0-0.157	0.866-1.654	0.906	2.750	3.2				
1980 00511135		-135	1	0.020-0.276	5.315	—	0.0-0.157	0.866-1.654	0.906	2.750	3.2				
1980 00511165		-165	1	0.020-0.276	6.496	—	0.0-0.157	0.866-1.654	0.906	2.750	3.2				
1980 00511195		-195	1	0.020-0.276	7.677	—	0.0-0.157	0.866-1.654	0.906	2.750	3.2				

Code	Model	Type	d	L	L1	B	L2	D	D1	kg	Preset Screw	Nut	Collet	Spanner					
1980 00516090	CAT50-ERC16	-90	1	0.020-0.394	3.543	—	0.0-0.197	1.299-2.126	1.260	2.750	3.3	ES16	ERP-16	ER16	FK-0030				
1980 00516105		-105	1	0.020-0.394	4.134	—	0.0-0.197	1.299-2.126	1.260	2.750	3.3								
1980 00516120		-120	1	0.020-0.394	4.724	—	0.0-0.197	1.299-2.126	1.260	2.750									
1980 00516135		-135	1	0.020-0.394	5.315	—	0.0-0.197	1.299-2.126	1.260	2.750	3.5								
1980 00516165		-165	1	0.020-0.394	6.496	—	0.0-0.197	1.299-2.126	1.260	2.750									
1980 00516195		-195	1	0.020-0.394	7.677	—	0.0-0.197	1.299-2.126	1.260	2.750									
1980 00516225		-225	1	0.020-0.394	8.858	—	0.0-0.197	1.299-2.126	1.260	2.750									
1980 00516255		-255	1	0.020-0.394	10.039	—	0.0-0.197	1.299-2.126	1.260	2.750									
1980 00520090	CAT50-ERC20	-90	1	0.020-0.512	3.543	—	0.0-0.236	1.496-2.638	1.378	2.750						HDS12A-ES20	ERP-20	ER20	FK-0034
1980 00520105		-105	1	0.020-0.512	4.134	—	0.0-0.236	1.496-2.638	1.378	2.750	3.4								
1980 00520120		-120	1	0.020-0.512	4.724	—	0.0-0.236	1.496-2.638	1.378	2.750	3.4								
1980 00520135		-135	1	0.020-0.512	5.315	—	0.0-0.236	1.496-2.638	1.378	2.750	3.5								
1980 00520165		-165	1	0.020-0.512	6.496	—	0.0-0.236	1.496-2.638	1.378	2.750	3.7								
1980 00520195		-195	1	0.020-0.512	7.677	—	0.0-0.236	1.496-2.638	1.378	2.750									
1980 00520225		-225	1	0.020-0.512	8.858	—	0.0-0.236	1.496-2.638	1.378	2.750									
1980 00520255		-255	1	0.020-0.512	10.039	—	0.0-0.236	1.496-2.638	1.378	2.750									
1980 00525090	CAT50-ERC25	-90	1	0.020-0.630	3.543	—	0.0-0.315	1.693-3.150	1.654	2.750		HDS16A-ES25	ERP-25	ER25	HS-1-16				
1980 00525105		-105	1	0.020-0.630	4.134	—	0.0-0.315	1.693-3.150	1.654	2.750	3.5								
1980 00525120		-120	1	0.020-0.630	4.724	—	0.0-0.315	1.693-3.150	1.654	2.750	3.7								
1980 00525135		-135	1	0.020-0.630	5.315	—	0.0-0.315	1.693-3.150	1.654	2.750	3.8								
1980 00525165		-165	1	0.020-0.630	6.496	—	0.0-0.315	1.693-3.150	1.654	2.750	4								
1980 00525195		-195	1	0.020-0.630	7.677	—	0.0-0.315	1.693-3.150	1.654	2.750									
1980 00525225		-225	1	0.020-0.630	8.858	—	0.0-0.315	1.693-3.150	1.654	2.750									
1980 00525255		-255	1	0.020-0.630	10.039	—	0.0-0.315	1.693-3.150	1.654	2.750									
1980 00532105	CAT50-ERC32	-105	1	0.098-0.787	4.134	—	0.0-0.394	1.969-3.976	1.969	2.750	3.7					HDS22A-ES32	ERP-32	ER32	HS-2-20
1980 00532120		-120	1	0.098-0.787	4.724	—	0.0-0.394	1.969-3.976	1.969	2.750	3.8								
1980 00532135		-135	1	0.098-0.787	5.315	—	0.0-0.394	1.969-3.976	1.969	2.750	2								
1980 00532150		-150	1	0.098-0.787	5.906	—	0.0-0.394	1.969-3.976	1.969	2.750									
1980 00532165		-165	1	0.098-0.787	6.496	—	0.0-0.394	1.969-3.976	1.969	2.750									
1980 00532195		-195	1	0.098-0.787	7.677	—	0.0-0.394	1.969-3.976	1.969	2.750									
1980 00532225		-225	1	0.098-0.787	8.858	—	0.0-0.394	1.969-3.976	1.969	2.750									
1980 00532255		-255	1	0.098-0.787	10.039	—	0.0-0.394	1.969-3.976	1.969	2.750									
1980 00540075	CAT50-ERC40	-75	1	0.118-1.024	2.953	—	0.0 0.138-0.551	2.362-3.701	2.480	2.750		ES40	ERP-40	ER40	HS-2.5-25				
1980 00540105		-105	1	0.118-1.024	4.134	—	0.0 0.138-0.551	2.362-3.898	2.480	2.750	3.9								
1980 00540165		-165	1	0.118-1.024	6.496	—	0.0 0.138-0.551	2.362-3.898	2.480	2.750	5.1								
1980 00550105	CAT50-ERC50	-105	1	0.394-1.339	4.134	—	0.0 0.236-0.630	2.913-3.937	3.071	2.750		ES50	ERP-50	ER50	HS-4-42				

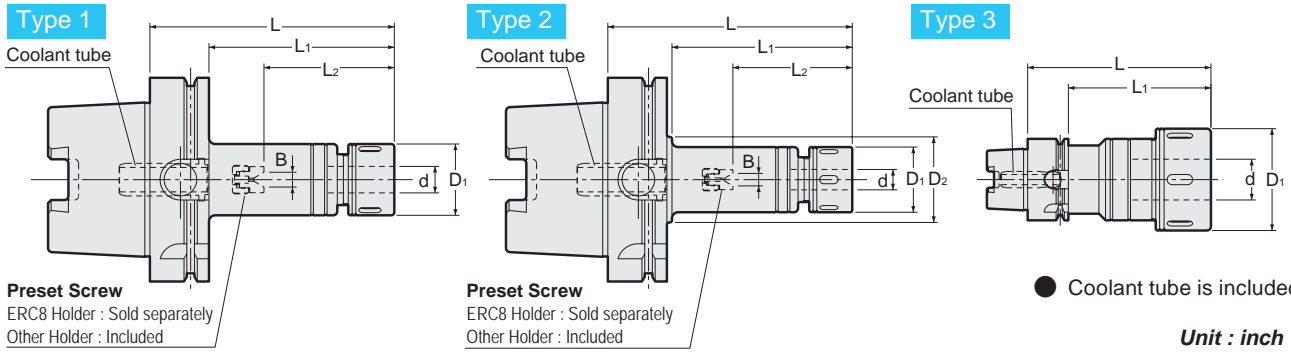
1. Collet and spanner are sold separately.
2. ES8, a preset screw for ERC8, is sold separately. ERC11S includes a standard preset screw HDS-07A-ES11.
3. " B " and " L2 " dimensions in brackets are for using ES8 preset screw.
4. Refer to P.092 for minimum tool insertion length in case of using our coolant collets.
5. See P.499 for standard Tightening Torque.

Collet P. 090-091	Spanner P. 095	Preset screw P. 094	Ordering Example CAT40 - ERC 8 - 105 Shank size Max. Projection collet I.D. length (L)
			

ERC

Collet Holder For Small Diameters

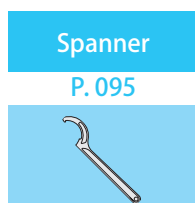
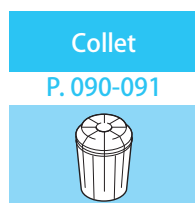
● For drilling in tight space.



	Code	Model	Type	d	L	L1	B	L2	D1	D2	kg	Preset Screw	Nut	Collet	Spanner
Collet Holder	5370 00308060	HSK40A -ERC8 -60	1	0.020 - 0.197	2.362	1.575	— (0-0.094)	1.299 (0.748-1.220)	0.472	—	0.2	—	ERP-8	ER8	S-8E
	5370 00308075	-75	1	0.020 - 0.197	2.953	2.165	— (0-0.094)	1.299 (0.748-1.220)	0.472	—	0.2				
	5370 00308090	-90	1	0.020 - 0.197	3.543	2.756	— (0-0.094)	1.299 (0.748-1.220)	0.472	—	0.3				
"R"-Zero Holder	5370 00310060	HSK40A -ERC11S -60	1	0.020 - 0.276	2.362	1.575	—	1.417	0.630	—	0.2	HDC07A-ES11	ERP-11S	ER11	S-11E
	5370 00310075	-75	1	0.020 - 0.276	2.953	2.165	0.0 - 0.157	0.866 - 1.378	0.630	—	0.3				
	5370 00310090	-90	1	0.020 - 0.276	3.543	2.756	0.0 - 0.157	0.866 - 1.654	0.630	—	0.3				
Hydraulic Chuck	5370 00311075	HSK40A -ERC11 -75	1	0.020 - 0.276	2.953	2.165	0.0 - 0.157	0.866 - 1.378	0.906	—	0.3	HDC07A-ES11	HDP-07A	ER11	S-0
	5370 00311090	-90	1	0.020 - 0.276	3.543	2.756	0.0 - 0.157	0.866 - 1.811	0.906	—					
	5370 00311120	-120	1	0.020 - 0.276	4.724	3.937	0.0 - 0.157	0.866 - 1.811	0.906	—					
Shrink Fit	5370 00316075	HSK40A -ERC16 -75	1	0.020 - 0.394	2.953	2.165	—	1.811	1.260	—		ES16	ERP-16	ER16	FK0030
	5370 00316090	-90	1	0.020 - 0.394	3.543	2.756	0.0 - 0.197	1.299 - 1.772	1.260	—					
	5370 00316120	-120	1	0.020 - 0.394	4.724	3.937	0.0 - 0.197	1.299 - 2.126	1.260	—					
Tapping Chuck	5370 00320090	HSK40A -ERC20 -90	1	0.020 - 0.512	3.543	2.756	—	2.362	1.378	—		HDS12A-ES20	ERP-20	ER20	FK0034
	5370 00320120	-120	1	0.020 - 0.512	4.724	3.937	0.0 - 0.236	1.496 - 2.638	1.378	—					
	5370 00325090	HSK40A -ERC25 -90	1	0.020 - 0.630	3.543	2.756	—	2.323	1.654	—					
Arbors	5370 00325120	-120	1	0.020 - 0.630	4.724	3.937	0.0 - 0.315	1.693 - 2.795	1.654	—		HDS16A-ES25	ERP-25	ER25	HS-1-16
	5370 00332090	HSK40A -ERC32 -90	3	0.098 - 0.787	3.543	2.756	—	2.441	1.969	—					
	5370 00508075	HSK63A -ERC8 -75	1	0.020 - 0.197	2.953	1.929	— (0-0.094)	1.299 (0.748-1.220)	0.472	—	0.7				
5370 00508105	-105	1	0.020 - 0.197	4.134	3.110	— (0-0.094)	1.299 (0.748-1.220)	0.472	—	0.7					
5370 00510075	HSK63A -ERC11S -75	1	0.020 - 0.276	2.953	1.929	0.0 - 0.157	0.866 - 1.260	0.630	—	0.7					
HSKE	5370 00510105	-105	1	0.020 - 0.276	4.134	3.110	0.0 - 0.157	0.866 - 1.654	0.630	—	0.8	HDC07A-ES11	HDP-07A	ER11	S-0
	5370 00511075	HSK63A -ERC11 -75	1	0.020 - 0.276	2.953	1.929	0.0 - 0.157	0.866 - 1.260	0.906	—					
	5370 00511090	-90	1	0.020 - 0.276	3.543	2.520	0.0 - 0.157	0.866 - 1.654	0.906	—	0.8				
HSK-F	5370 00511120	-120	1	0.020 - 0.276	4.724	3.701	0.0 - 0.157	0.866 - 1.654	0.906	—		ES16	ERP-16	ER16	FK0030
	5370 00516075	HSK63A -ERC16 -75	1	0.020 - 0.394	2.953	1.929	—	1.811	1.260	—	0.9				
	5370 00516090	-90	1	0.020 - 0.394	3.543	2.520	0.0 - 0.197	1.299 - 1.575	1.260	—					
HSK-C	5370 00516105	-105	1	0.020 - 0.394	4.134	3.110	0.0 - 0.197	1.299 - 2.126	1.260	—	1.1	ES16	ERP-16	ER16	FK0030
	5370 00516120	-120	1	0.020 - 0.394	4.724	3.701	0.0 - 0.197	1.299 - 2.126	1.260	—	1.2				
	5370 00516165	-165	1	0.020 - 0.394	6.496	5.472	0.0 - 0.197	1.299 - 2.126	1.260	—					

Code	Model	Type	d	L	L1	B	L2	D1	D2	kg	Preset Screw	Nut	Collet	Spanner
5370 00520090	HSK63A -ERC20 -90	1	0.020 - 0.512	3.543	2.520	—	2.165	1.378	—	—	—	ERP-20	ER20	FK0034
5370 00520120	-120	1	0.020 - 0.512	4.724	3.701	0.0 - 0.236	1.496 - 2.559	1.378	—	—	HDS12A-ES20			
5370 00520150	-150	1	0.020 - 0.512	5.906	4.882	0.0 - 0.236	1.496 - 2.638	1.378	—	—	HDS12A-ES20			
5370 00525075	HSK63A -ERC25 -75	1	0.020 - 0.630	2.953	1.929	—	1.732	1.654	—	—	—	ERP-25	ER25	HS-1-16
5370 00525090	-90	1	0.020 - 0.630	3.543	2.520	—	2.323	1.654	—	—	—			
5370 00525120	-120	1	0.020 - 0.630	4.724	3.701	0.0 - 0.315	1.693 - 2.598	1.654	—	1.4	HDS16A-ES25			
5370 00525150	-150	1	0.020 - 0.630	5.906	4.882	0.0 - 0.315	1.693 - 3.150	1.654	—	—	HDS16A-ES25			
5370 00532090	HSK63A -ERC32 -90	1	0.079 - 0.787	3.543	2.520	—	2.244	1.969	—	—	—	ERP-32	ER32	HS-2-20
5370 00532105	-105	1	0.079 - 0.787	4.134	3.110	—	2.638	1.969	—	1.5	—			
5370 00532120	-120	1	0.079 - 0.787	4.724	3.701	0.0 - 0.394	1.969 - 2.323	1.969	—	1.7	HDS22A-ES32			
5370 00532150	-150	1	0.079 - 0.787	5.906	4.882	0.0 - 0.394	1.969 - 3.504	1.969	—	—	HDS22A-ES32			
5370 00540120	HSK63A -ERC40 -120	1	0.118 - 1.024	4.724	3.701	—	3.150	2.480	—	—	—	ERP-40	ER40	HS-2.5-25
5370 00711075	HSK100A -ERC11 -75	2	0.020 - 0.276	2.953	1.417	—	1.496	0.906	1.260	—	—	HDP-07A	ER11	S-0
5370 00711090	-90	2	0.020 - 0.276	3.543	2.008	0.0 - 0.157	0.866 - 1.654	0.906	1.260	—	HDS07A-ES11			
5370 00711120	-120	2	0.020 - 0.276	4.724	3.189	0.0 - 0.157	0.866 - 1.654	0.906	1.260	—	HDS07A-ES11			
5370 00716075	HSK100A -ERC16 -75	2	0.020 - 0.394	2.953	1.693	—	1.654	1.260	1.654	—	—	ERP-16	ER16	FK0030
5370 00716090	-90	2	0.020 - 0.394	3.543	2.283	0.0 - 0.197	1.299 - 1.457	1.260	1.654	—	ES16			
5370 00716120	-120	2	0.020 - 0.394	4.724	3.465	0.0 - 0.197	1.299 - 2.126	1.260	1.654	—	ES16			
5370 00720090	HSK100A -ERC20 -90	1	0.020 - 0.512	3.543	2.402	—	2.087	1.378	—	—	—	ERP-20	ER20	FK0034
5370 00720120	-120	1	0.020 - 0.512	4.724	3.583	0.0 - 0.236	1.496 - 2.323	1.378	—	—	HDS12A-ES20			
5370 00720150	-150	1	0.020 - 0.512	5.906	4.764	0.0 - 0.236	1.496 - 2.638	1.378	—	—	HDS12A-ES20			
5370 00725090	HSK100A -ERC25 -90	1	0.020 - 0.630	3.543	2.402	—	2.087	1.654	—	—	—	ERP-25	ER25	HS-1-16
5370 00725120	-120	1	0.020 - 0.630	4.724	3.583	0.0 - 0.315	1.693 - 2.362	1.654	—	—	HDS16A-ES25			
5370 00725150	-150	1	0.020 - 0.630	5.906	4.764	0.0 - 0.315	1.693 - 3.150	1.654	—	—	HDS16A-ES25			
5370 00732090	HSK100A -ERC32 -90	1	0.098 - 0.787	3.543	2.402	—	2.008	1.969	—	—	—	ERP-32	ER32	HS-2-20
5370 00732105	-105	1	0.098 - 0.787	4.134	2.992	—	2.598	1.969	—	2.8	—			
5370 00732120	-120	1	0.098 - 0.787	4.724	3.583	0.0 - 0.394	1.969 - 2.126	1.969	—	—	HDS22A-ES32			
5370 00732150	-150	1	0.098 - 0.787	5.906	4.764	0.0 - 0.394	1.969 - 3.307	1.969	—	3.4	HDS22A-ES32			
5370 00740120	HSK100A -ERC40 -120	1	0.118 - 1.024	4.724	3.583	—	2.913	2.480	—	3.5	—	ERP-40	ER40	HS-2.5-25
5370 00750135	HSK100A -ERC50 -135	1	0.394 - 1.339	5.315	4.173	—	3.307	3.071	—	—	—	ERP-50	ER50	HS-4-42

1. Collet and spanner are sold separately.
2. ES8, a preset screw for ERC8, is sold separately. ERC11S includes a standard preset screw HDS-07A-ES11.
3. "B" and "L2" dimensions in brackets are for using ES8 preset screw.
4. Refer to P.092 for minimum tool insertion length in case of using our coolant collets.
5. See P.499 for standard Tightening Torque.



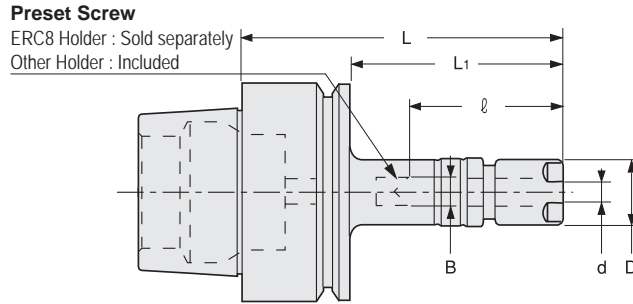
Ordering Example

HSK63A - ERC 8 - 75
Shank size Max. collet I.D. Projection length (L)

ERC

Collet Holder For Small Diameters

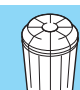
- For drilling in tight space.



Unit : Metric

Code	Model	d	L	L1	B	l	D	Nut	Preset Screw	Collet	Spanner
5370 50108035	HSK25E -ERC8 -35	0.5 ~ 5.0	35	25	—	24	12	ERP-8	—		
5370 50108045	-45	0.5 ~ 5.0	45	35	—	34	12	ERP-8	—	ER8	S-8E
5370 50108060	-60	0.5 ~ 5.0	60	50	(0 ~ 2.4)	³⁴ (19 ~ 23)	12	ERP-8	(ES8)		
5370 50110045	HSK25E -ERC11S -45	0.5 ~ 7.0	45	35	—	34	16	ERP-11S	—	ER11	S-11E
5370 50110060	-60	0.5 ~ 7.0	60	50	0 ~ 4	22 ~ 30	16	ERP-11S	HDS-07A-ES11		
5370 50208045	HSK32E -ERC8 -45	0.5 ~ 5.0	45	25	—	31	12	ERP-8	—	ER8	S-8E
5370 50208060	-60	0.5 ~ 5.0	60	40	—	34	12	ERP-8	—		
5370 50210045	HSK32E -ERC11S -45	0.5 ~ 7.0	45	25	—	31	16	ERP-11S	—	ER11	S-11E
5370 50210060	-60	0.5 ~ 7.0	60	40	0 ~ 4	22 ~ 27	16	ERP-11S	HDS-07A-ES11		
5370 50308040	HSK40E -ERC8 -40	0.5 ~ 5.0	40	20	—	26	12	ERP-8	—	ER8	S-8E
5370 50308060	-60	0.5 ~ 5.0	60	40	(0 ~ 2.4)	³⁴ (19 ~ 22)	12	ERP-8	(ES8)		
5370 50310045	HSK40E -ERC11S -45	0.5 ~ 7.0	45	25	—	31	16	ERP-11S	—	ER11	S-11E
5370 50310060	-60	0.5 ~ 7.0	60	40	0 ~ 4	22 ~ 24	16	ERP-11S	HDS-07A-ES11		
5370 50408045	HSK50E -ERC8 -45	0.5 ~ 5.0	45	19	—	35	12	ERP-8	—		
5370 50408060	-60	0.5 ~ 5.0	60	34	—	50	12	ERP-8	—	ER8	S-8E
5370 50408075	-75	0.5 ~ 5.0	75	49	(0 ~ 2.4)	³⁴ (19 ~ 26)	12	ERP-8	(ES8)		
5370 50410045	HSK50E -ERC11S -45	0.5 ~ 7.0	45	19	—	28	16	ERP-11S	—		
5370 50410060	-60	0.5 ~ 7.0	60	34	0 ~ 4	22 ~ 28	16	ERP-11S	HDS-07A-ES11	FDC-07	S-11E
5370 50410075	-75	0.5 ~ 7.0	75	49	0 ~ 4	22 ~ 39	16	ERP-11S	HDS-07A-ES11		

1. Collet and spanner are sold separately.
2. ES8, a preset screw for ERC8, is sold separately.
3. "B" and "l" dimensions in brackets are for using ES8 preset screw.
4. See P.499 for standard Tightening Torque.

Collet P. 090-091 	Spanner P. 095 	Preset screw P. 094 
--	---	--

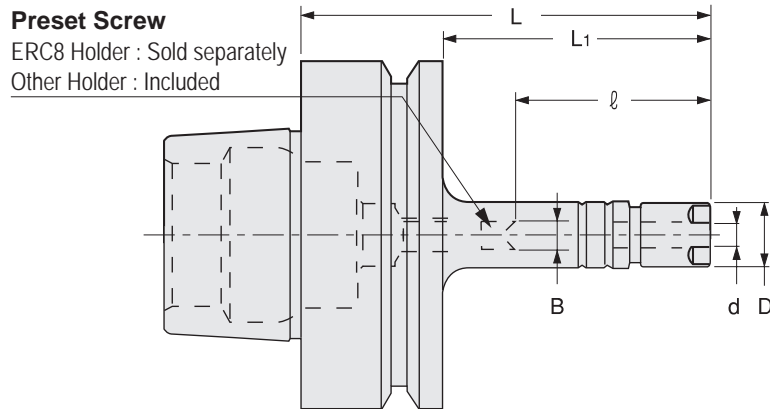
Ordering Example

HSK40E - ERC 8 - 40
 Shank size Max. collet I.D. Projection length (L)

ERC

Collet Holder For Small Diameters



- For drilling in tight space.



Unit : Metric

Code	Model	d	L	L1	B	l	D	Nut	kg	Preset Screw	Collet	Spanner
5370 60508075	HSK63F -ERC8 -75	0.5 ~ 5.0	75	49	— (0 ~ 2.4)	³⁴ (19 ~ 31)	12	ERP-8	0.7	ES8 (Option)	ER8	S-8E
5370 60508090	-90	0.5 ~ 5.0	90	64	— (0 ~ 2.4)	³⁴ (19 ~ 31)	12	ERP-8				
5370 60508105	-105	0.5 ~ 5.0	105	79	— (0 ~ 2.4)	³⁴ (19 ~ 31)	12	ERP-8	0.7			
5370 60510075	HSK63F -ERC11S -75	0.5 ~ 7.0	75	49	0 ~ 4	22 ~ 30	16	ERP-11S	0.8	HDS-07A- ES11 (Included)	FDC-07	S-11E
5370 60510090	-90	0.5 ~ 7.0	90	64	0 ~ 4	22 ~ 45	16	ERP-11S	0.8			
5370 60510105	-105	0.5 ~ 7.0	105	79	0 ~ 4	22 ~ 45	16	ERP-11S	0.8			

1. Collet and spanner are sold separately.
2. ES8, a preset screw for ERC8, is sold separately. ERC11S includes a standard preset screw HDS-07A-ES11.
3. "B" and "l" dimensions in brackets are for using ES8 preset screw.
4. See P.499 for standard Tightening Torque.

Collet	Spanner	Preset screw
P. 090-091	P. 095	P. 094
		

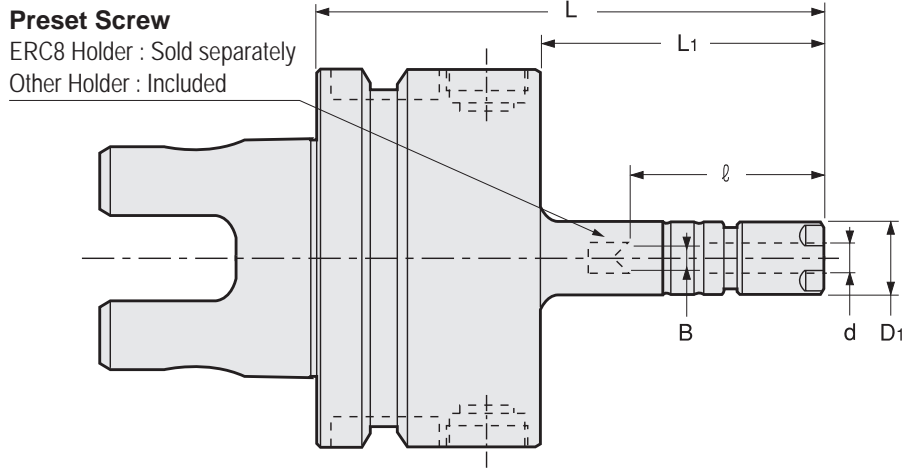
Ordering Example

HSK63F - ERC 8 - 75
 Shank size Max. collet I.D. Projection length (L)

ERC

Collet Holder For Small Diameters

- For drilling in tight space.






Unit : Metric

Code	Model	d	L	L1	B	ℓ	D1	Nut	kg	Collet	Spanner
1340 01108075	UTS5040 -ERC8 -75H	0.5 ~ 5.0	75	45	— (0 ~ 2.4)	³⁴ (19 ~ 24)	12	ERP-8	0.5	ER8	S-8E
1340 01108105	-105H	0.5 ~ 5.0	105	75	— (0 ~ 2.4)	³⁴ (19 ~ 31)	12	ERP-8	0.6		
1340 01110075	UTS5040 -ERC11S -75H	0.5 ~ 7.0	75	45	0 ~ 4	22 ~ 32	16	ERP-11S	0.6	ER11	S-11E
1340 01110105	-105H	0.5 ~ 7.0	105	75	0 ~ 4	22 ~ 45	16	ERP-11S	0.6		
1340 0 ※ 208075	UTS6350 -ERC8 -75	0.5 ~ 5.0	75	42	— (0 ~ 2.4)	³⁴ (19 ~ 24)	12	ERP-8	0.9	ER8	S-8E
1340 0 ※ 208105	-105	0.5 ~ 5.0	105	72	— (0 ~ 2.4)	³⁴ (19 ~ 31)	12	ERP-8	1.0		
1340 0 ※ 210075	UTS6350 -ERC11S -75	0.5 ~ 7.0	75	42	0 ~ 4	22 ~ 34	16	ERP-11S	1.0	ER11	S-11E
1340 0 ※ 210105	-105	0.5 ~ 7.0	105	72	0 ~ 4	22 ~ 45	16	ERP-11S	1.0		

When placing an order, please specify high or low pressure. For high pressure type, please add (-H) on end of the description.

1. Collet and spanner are sold separately.
2. ES8, a preset screw for ERC8, is sold separately. ERC11S includes a standard preset screw HDS-07A-ES11.
3. "B" and "ℓ" dimensions in brackets are for using ES8 preset screw.
4. Refer to P.092 for minimum tool insertion length in case of using our coolant collets.
5. UTS5040 is available in high pressure only.
6. See P.499 for standard Tightening Torque.

Collet P. 090-091 	Spanner P. 095 	Preset screw P. 094 
--	---	--

Ordering Example
 Low pressure type
 0 ~ 1.0MPa (UTS10080 : 0 ~ 2.0MPa)
UTS6350 - ERC 8 - 75
 Shank size Max. collet I.D. Projection length (L)

Ordering Example
 High pressure type
 1.1 ~ 7.0MPa (UTS10080 : 2.1 ~ 7.0MPa)
UTS6350 - ERC 8 - 75 - H
 Shank size Max. collet I.D. Projection length (L) High pressure type